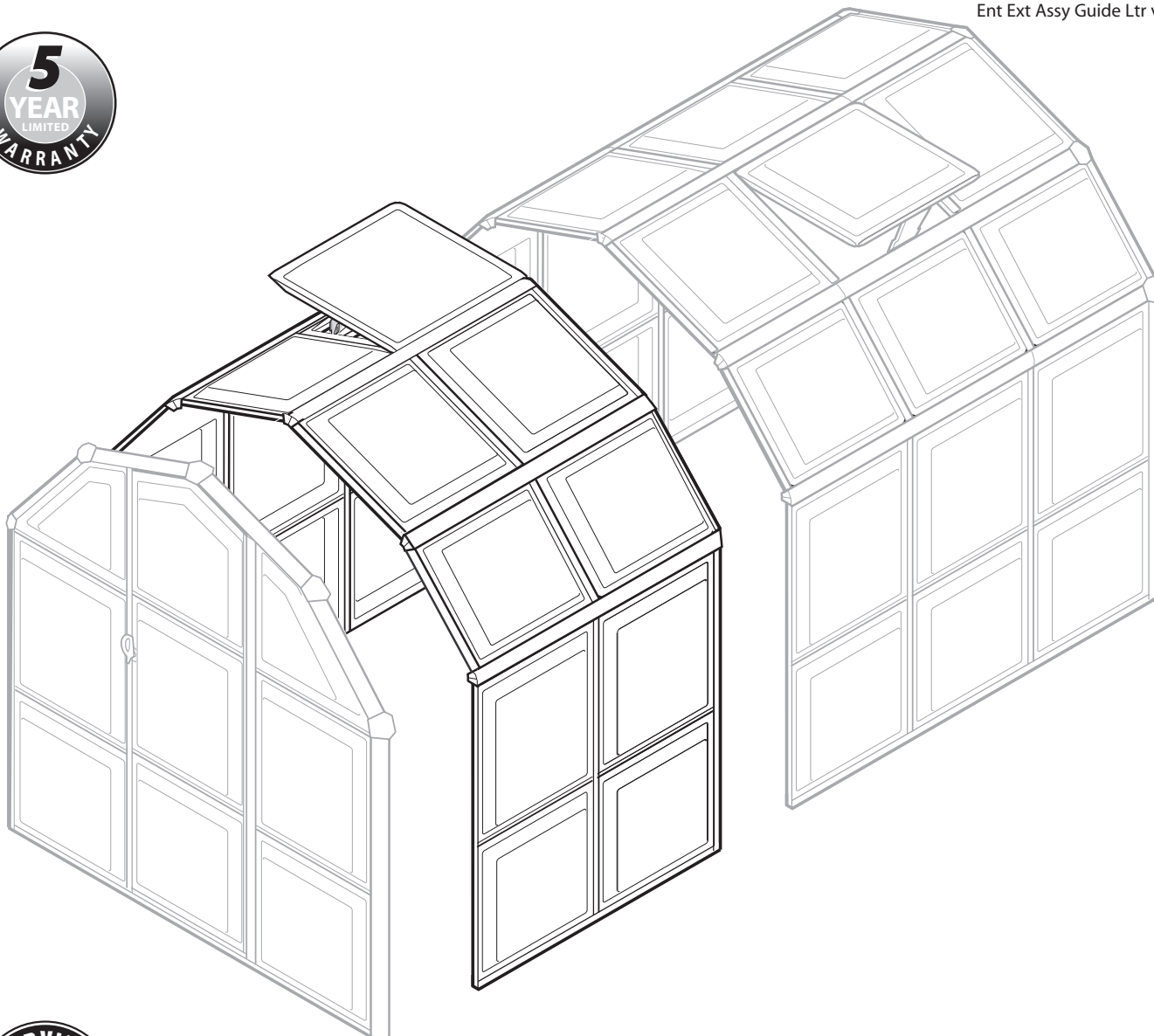


## ASSEMBLY INSTRUCTIONS

**HOBBYGROWER™**  
HORTICULTURAL PRODUCTS  
by SPS International

**Enthusiast™**  
PC Greenhouse 6' x 4'  
Extension Kit w/Vent & Base

Ent Ext Assy Guide Ltr v1-0-3



Overall dimensions including base (Approx.)  
120 L x 193 W x 210 H cms  
49" L x 76" W x 82.7" H



**SPS International**  
Greenhouse Glazing Innovators™

## IMPORTANT

Please read these instructions carefully before you start to assemble this greenhouse. Please follow the step-by-step instructions carefully **in order**. Doing so will save you time and will ensure proper assembly. Keep these instructions in a safe place for future reference.

## SAFETY ADVICE

We strongly recommend the use of work gloves during assembly as aluminium profiles may have sharp edges.

Do not attempt to assemble the greenhouse in windy or wet conditions.

Take special care not to touch overhead power cables with the aluminium profiles.

Always wear shoes and safety goggles when working with extruded aluminium.

Dispose of all plastic bags safely - keep them out of reach of small children.

The greenhouse must be positioned and fixed on a flat level surface.

Do not lean against or push the greenhouse during construction.

Keep children away from the assembly area - the aluminium profiles may have sharp edges.

Do not position your greenhouse in an area exposed to excessive wind.

Do not attempt to assemble this greenhouse if you are tired, have taken drugs or alcohol or if you are prone to dizzy spells.

If using a step ladder ensure that you follow the manufacturers safety advice.

If using power tools always follow the manufacturer's instructions.

Hot items such as recently used grills, blowtorches etc. must not be stored in the greenhouse.

Ensure there are no hidden pipes or cables in the ground before inserting the ground stakes.

## GENERAL ADVICE

This is a multi-part assembly. Allow at least 4 hours to assemble from start to finish.

**Selecting a site** - choose a sunny level position for your greenhouse away from overhanging trees.

If you are fixing your greenhouse directly to a solid concrete base, please take into account the fixing brackets **24**. See diagram and text 34 (Area needed - 266.6cm/104.5" Length x 211.9cm/83" Width including fixing brackets **24**)

It is advisable to use a lubricant to ease connection between aluminium profiles and panels.

The component parts should be checked and laid out in an orderly way, close at hand.

Keep all small parts (screws etc.) in a bowl so they do not get lost.

Note that the door is hinged on the right hand side and therefore opens to the right.

You can opt to use the base brackets supplied to anchor your greenhouse to a concrete floor or you can use the base supplied.

We strongly advise you to keep the special poly-film protective covering on the side panels and first line of roof panels until the greenhouse is fully assembled. You should however remove the poly-film protective covers from the very top roof panels, as it will be very difficult to remove them afterwards.

Keep roof clear of snow and leaves.

## CARE & MAINTENANCE

When your greenhouse needs to be cleaned, use a mild detergent solution and rinse with cold clean water.

**DO NOT** use acetone, abrasive cleaners or other special detergents to clean the clear panels.

When opening the greenhouse door, do not use excessive force.

**Replacement parts - contact your Authorized hobbyGrower reseller or SPS Customer Service helpline: 1-800-994-5626**  
**Fax: 1-530-668-8606 Email: sales@spscorp.com**

## TOOLS & EQUIPMENT REQUIRED

Silicone Sealant & Applicator	Crosshead screwdriver	Scissors
Tape measure	Bradawl	Step ladder
Work gloves	Drill	Spirit level
Plastic or rubber mallet	2mm metal drill bit	Large hammer
Lubricant		

**If help is required seek professional advice within store.**

**CONTENTS**

ITEM	MM	QTY.
1	600x600mm	11
3	600x700mm	4
6		1
10	100mm 120mm	2 5

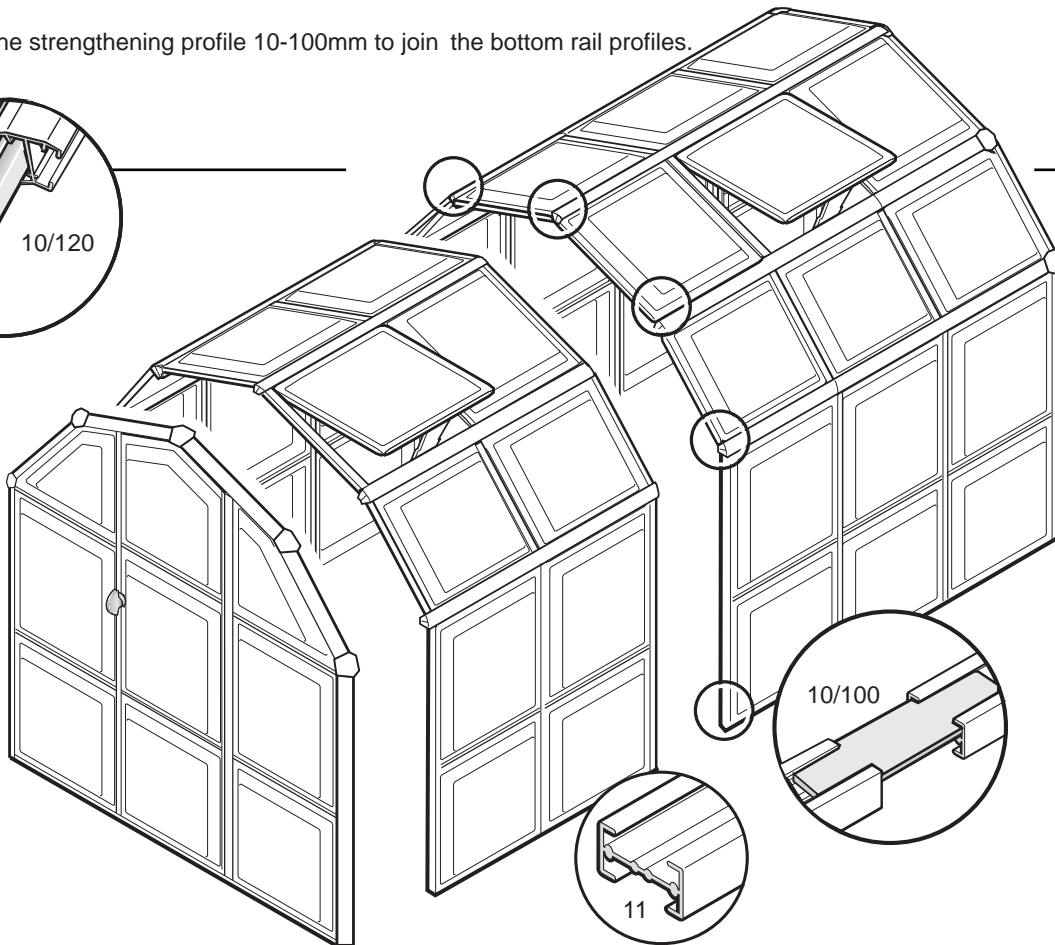
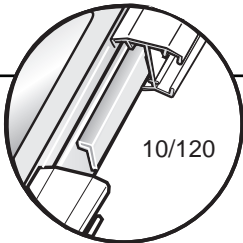
ITEM	MM	QTY.
11	590mm 1190mm 1290mm	8 2 4
12	1190mm	5
21		4
22	12mm	4

ITEM	MM	QTY.
24		2
27		2
29	16mm	8
34	1200mm	2

**1** Following the existing Assembly instructions supplied with your greenhouse use the extra sections supplied here to incorporate the extension into your greenhouse.

At the 5 horizontal points (4 shown) on the roof, ensure you fit a strengthening profile 10-120mm.

Use the strengthening profile 10-100mm to join the bottom rail profiles.



2

**Base construction**

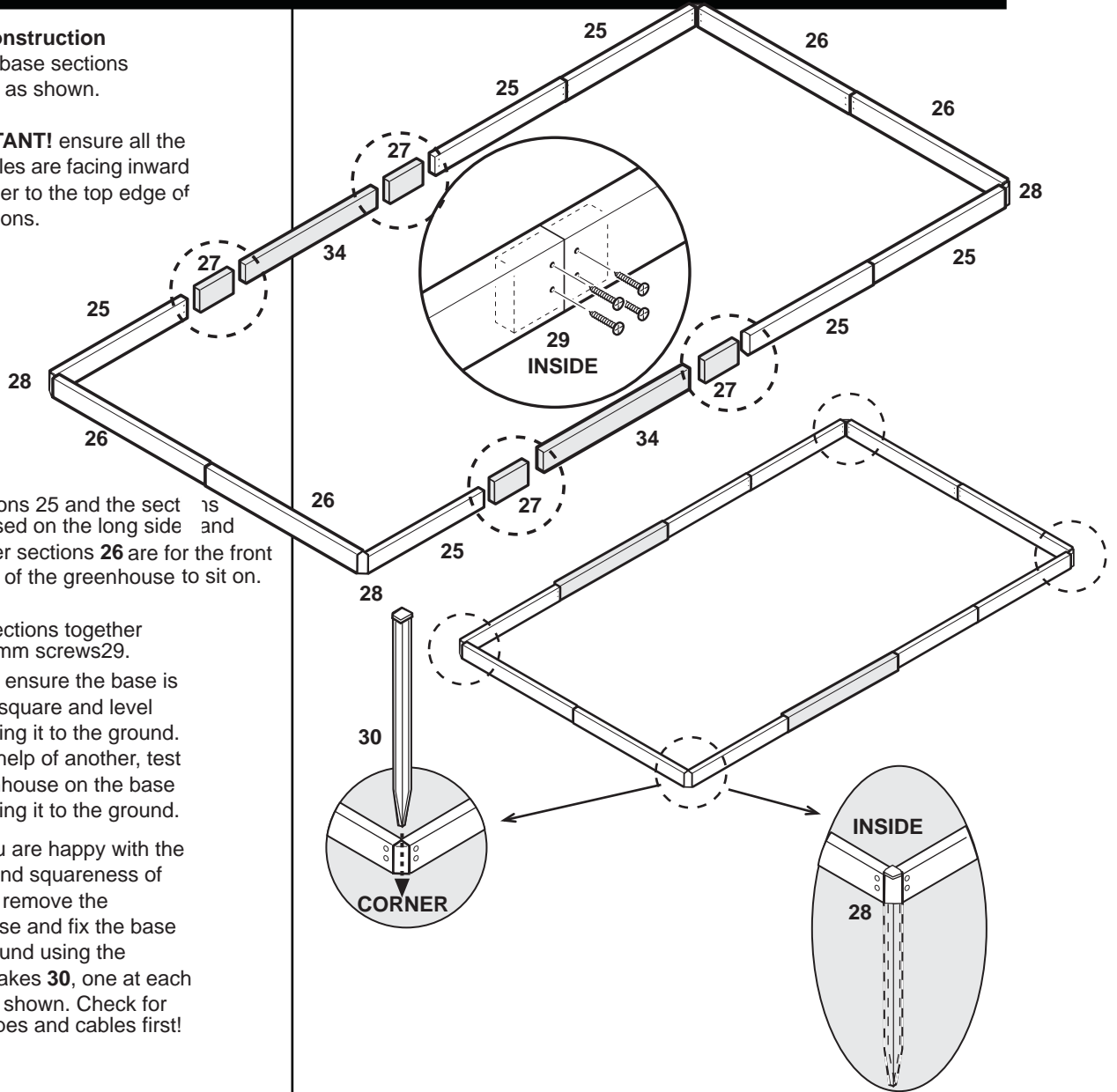
Slot the base sections together as shown.

**IMPORTANT!** ensure all the fixing holes are facing inward and closer to the top edge of the sections.

The sections 25 and the sect 15 34 are used on the long side and the longer sections 26 are for the front and back of the greenhouse to sit on.

Fix the sections together using 16mm screws 29. You must ensure the base is perfectly square and level before fixing it to the ground. With the help of another, test the greenhouse on the base before fixing it to the ground.

Once you are happy with the position and squareness of the base, remove the greenhouse and fix the base to the ground using the ground stakes 30, one at each corner as shown. Check for hidden pipes and cables first!



3

**Fixing Greenhouse to Base**

Carefully reposition the greenhouse onto the base.

From the inside, fit the brackets at positions shown on plan. Remove the two screws at these joints first, fit brackets and reattach the screws. Ensure the brackets hook over the bottom rim of the greenhouse.

